


WARNING

MAKITA BLOWER with VACUUM ATTACHMENT

Any piece of equipment can be dangerous if not operated properly. **YOU** are responsible for the safe operation of this equipment. The operator must carefully read and follow any warnings, safety signs and instructions provided with or located on the equipment. Do not remove, defeat, deface or render inoperable any of the safety devices or warnings on this equipment. If any safety devices or warnings have been removed, defeated, defaced, or rendered inoperable, **DO NOT USE THIS EQUIPMENT!!!**

 **WARNING:** Lithium-ion Batteries and/or products that contain Lithium-ion Batteries can expose you to chemicals including cobalt lithium nickel oxide, and nickel, which are known to the State of California to cause cancer and birth defects or other reproductive harm. For more information, go to www.P65warnings.ca.gov

WARNING: Use of this product can create dust containing chemicals which may cause respiratory or other illnesses. Some examples of these chemicals are compounds found in pesticides, insecticides, fertilizers & herbicides. Your risk from these exposures varies, depending on how often you do this type of work. To reduce your exposure to these chemicals: work in a well-ventilated area, & work with approved safety equipment, such as those dust masks that are specially designed to filter out microscopic particles.

Always wear proper personal protective equipment, including gloves, sturdy nonslip work boots, dust mask, and eye protection whenever using this equipment.

DANGER: Never operate this Blower with Vacuum Attachment without the suction tube installed with the fan cover in the open position. The rotating blades can cause dismemberment or death.

NEVER operate this Vacuum without the dust bag securely attached to the elbow pipe, and the elbow pipe securely attached to the unit.

If the person receiving this handout will not be the user of the equipment, forward these instructions to the operator. If there is any doubt as to the operation or safety of the equipment, **DO NOT USE!!! CALL A TOOL SHED IMMEDIATELY!!! FAILURE TO FOLLOW THESE INSTRUCTIONS COULD RESULT IN INJURY OR DEATH**

Important safety instructions for battery cartridge

1. Before using battery cartridge, read all instructions and cautionary markings on (1) battery charger, (2) battery, and (3) product using battery.
2. Do not disassemble battery cartridge.
3. If operating time has become excessively shorter, stop operating immediately. It may result in a risk of overheating, possible burns and even an explosion.
4. If electrolyte gets into your eyes, rinse them out with clear water and seek medical attention right away. It may result in loss of your eyesight.
5. Do not short the battery cartridge:
 - (1) Do not touch the terminals with any conductive material.
 - (2) Avoid storing battery cartridge in a container with other metal objects such as nails, coins, etc.
 - (3) Do not expose battery cartridge to water or rain.

A battery short can cause a large current flow, overheating, possible burns and even a breakdown.

6. Do not store the tool and battery cartridge in locations where the temperature may reach or exceed 122 °F.
7. Do not incinerate the battery cartridge even if it is severely damaged or is completely worn out. The battery cartridge can explode in a fire.
8. Be careful not to drop or strike battery.
9. Do not use a damaged battery.
10. The contained lithium-ion batteries are subject to the Dangerous Goods Legislation requirements. For commercial transports e.g. by third parties, forwarding agents, special requirement on packaging and labeling must be observed.

For preparation of the item being shipped, consulting an expert for hazardous material is required. Please also observe possibly more detailed national regulations. Tape or mask off open contacts and pack up the battery in such a manner that it cannot move around in the packaging.
11. When disposing the battery cartridge, remove it from the tool and dispose of it in a safe place. Follow your local regulations relating to disposal of battery.
12. Use the batteries only with the products specified by Makita. Installing the batteries to non-compliant products may result in a fire, excessive heat, explosion, or leak of electrolyte.
13. If the tool is not used for a long period of time, the battery must be removed from the tool.

SAVE THESE INSTRUCTIONS.

CAUTION: Only use genuine Makita batteries. Use of non-genuine Makita batteries, or batteries that have been altered, may result in the battery bursting causing fires, personal injury and damage. It will also void the Makita warranty for the Makita tool and charger.

Tips for maintaining maximum battery life

1. Charge the battery cartridge before completely discharged. Always stop tool operation and charge the battery cartridge when you notice less tool power.
2. Never recharge a fully charged battery cartridge. Overcharging shortens the battery service life.
3. Charge the battery cartridge with room temperature at 50 °F - 104 °F. Let a hot battery cartridge cool down before charging it.
4. Charge the battery cartridge if you do not use it for a long period (more than six months).

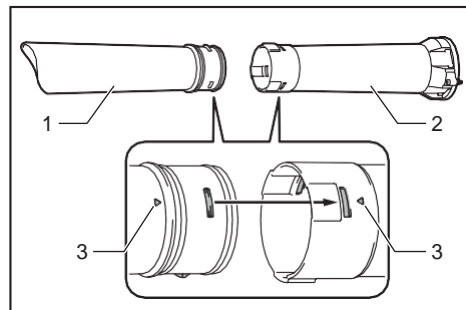
ASSEMBLY

CAUTION: Always be sure that the machine is switched off and the battery cartridge is removed before carrying out any work on the machine.

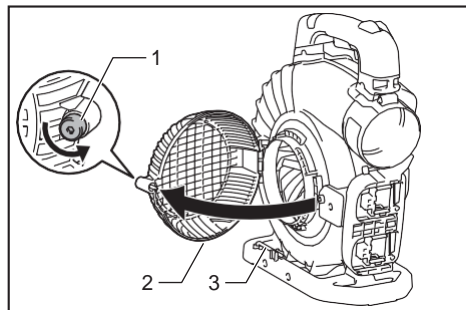
NOTICE: Before operating the machine, be sure to completely assemble the machine. Otherwise, the machine does not work.

Installing suction pipe and nozzle


1. Align the triangle mark on the suction nozzle with that on the suction pipe, and then insert the suction nozzle into the suction pipe until the latch on the nozzle snaps into place.

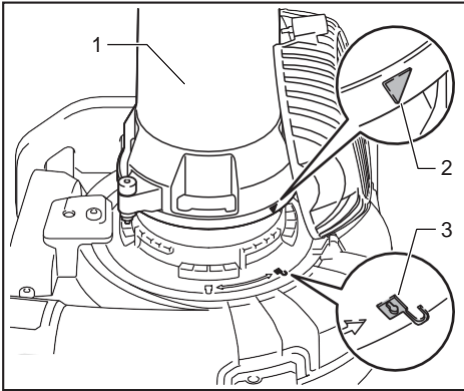


1. Suction nozzle 2. Suction pipe 3. Triangle mark
2. Loosen the bolt on the fan cover using the hex wrench, and open the fan cover.



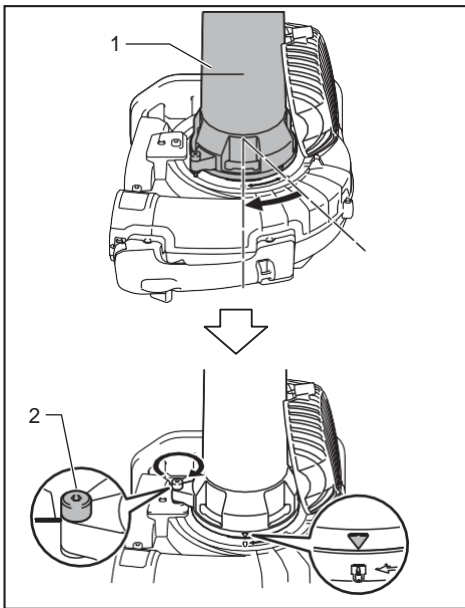
1. Bolt 2. Fan cover 3. Hex wrench

3. Align the triangle mark on the suction pipe with the  mark on the main unit, and then attach the suction pipe to the main unit.



► 1. Suction pipe 2. Triangle mark 3.  mark

4. Turn the suction pipe clockwise so that the bolt on the pipe is aligned with the hole on the main unit, and then fasten the bolt firmly using the hex wrench to secure the pipe to the main unit.

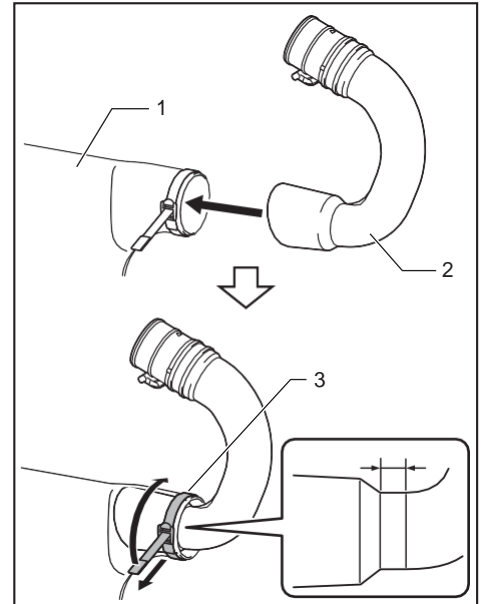


► 1. Suction pipe 2. Bolt

To remove the suction pipe and nozzle, perform the installation procedure in reverse.

Installing or removing elbow pipe and dust bag

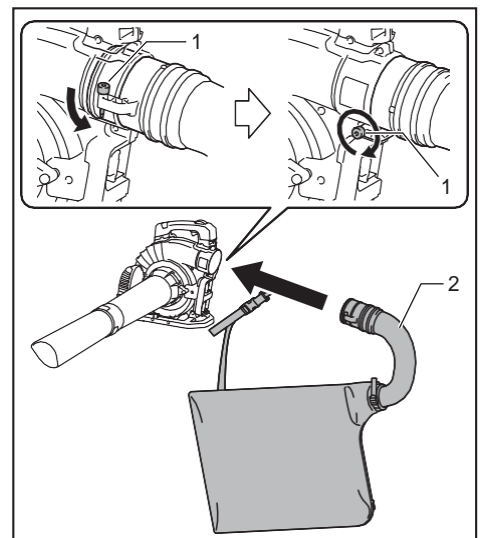
1. Insert the elbow pipe into the dust bag and tighten the belt to fix the elbow pipe as shown in the figure.



► 1. Dust bag 2. Elbow pipe 3. Belt

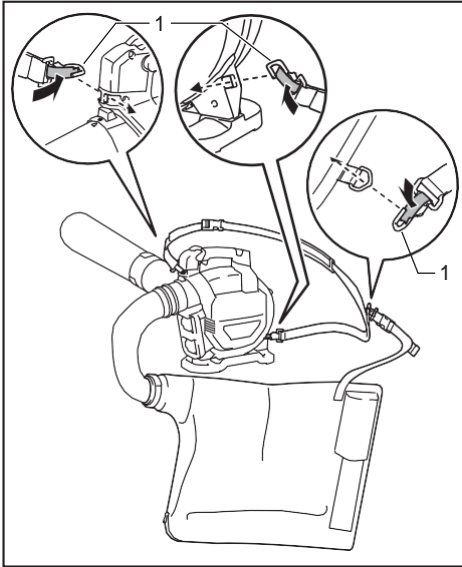
2. Attach the elbow pipe to the main unit.

Insert the elbow pipe into the main unit with the bolt facing left as shown in the figure. Turn the elbow pipe as shown in the figure so that the bolt is aligned with the hole on the main unit, and then tighten the bolt firmly using the hex wrench.



► 1. Bolt 2. Elbow pipe

3. Attach the hook of the dust bag to the shoulder strap, and then attach the hooks of the shoulder strap to the main unit as shown in the figure.



► 1. Hook

To remove the dust bag and elbow pipe, perform the installation procedure in reverse.

FUNCTIONAL DESCRIPTION

CAUTION: Always be sure that the machine is switched off and the battery cartridge is removed before adjusting or checking function on the machine.

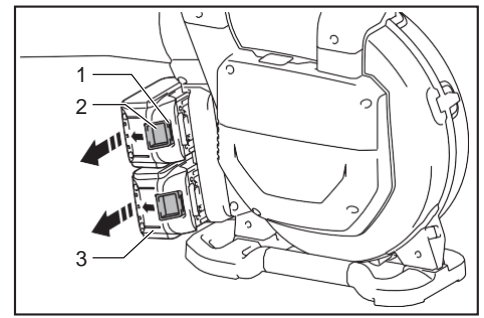
Installing or removing battery cartridge

CAUTION: Always switch off the machine before installing or removing the battery cartridge.

CAUTION: Hold the machine and the battery cartridge firmly when installing or removing battery cartridge. Failure to hold the machine and the battery cartridge firmly may cause them to slip off your hands and result in damage to the machine and battery cartridge and a personal injury.

CAUTION: Always install the battery cartridge fully until the red indicator cannot be seen. If not, it may accidentally fall out of the machine, causing injury to you or someone around you.

CAUTION: Do not install the battery cartridge forcibly. If the cartridge does not slide in easily, it is not being inserted correctly.



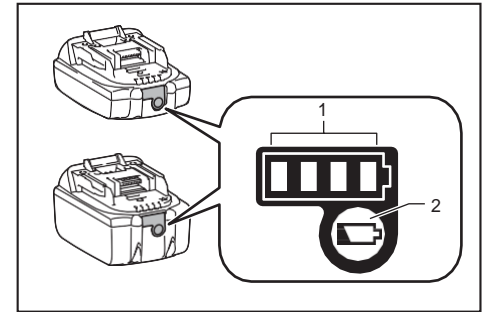
► 1. Red indicator 2. Button 3. Battery cartridge

To remove the battery cartridge, slide it from the machine while sliding the button on the front of the cartridge.

To install the battery cartridge, align the tongue on the battery cartridge with the groove in the housing and slip it into place. Insert it all the way until it locks in place with a little click. If you can see the red indicator on the upper side of the button, it is not locked completely.

Indicating the remaining battery capacity

Only for battery cartridges with the indicator



► 1. Indicator lamps 2. Check button

Press the check button on the battery cartridge to indicate the remaining battery capacity. The indicator lamps light up for a few seconds.

Indicator lamps			Remaining capacity
Lighted	Off	Blinking	
■ ■ ■ ■	□ □ □ □		75% to 100%
■ ■ ■ □	□ □ □ □		50% to 75%
■ ■ □ □	□ □ □ □		25% to 50%
■ □ □ □	□ □ □ □		0% to 25%
▣ □ □ □	□ □ □ □		Charge the battery.
■ ■ □ □	□ □ ■ ■	↑ ↓	The battery may have malfunctioned.

NOTE: Depending on the conditions of use and the ambient temperature, the indication may differ slightly from the actual capacity.

Machine/battery protection system

The machine is equipped with a machine/battery protection system. This system automatically cuts off power to the motor to extend machine and battery life. The machine will automatically stop during operation if the machine or battery is placed under one of the following conditions:

Overload protection

When the machine or battery is operated in a manner that causes it to draw an abnormally high current, the machine automatically stops and the lamp for mode 1 blinks in green. In this situation, turn the machine off and stop the application that caused the machine to become overloaded. Then turn the machine on to restart.

Overheat protection

When the machine or battery is overheated, the machine stops automatically and the lamp for mode 1 lights up in red. In this case, let the machine and battery cool down before turning the machine on again.

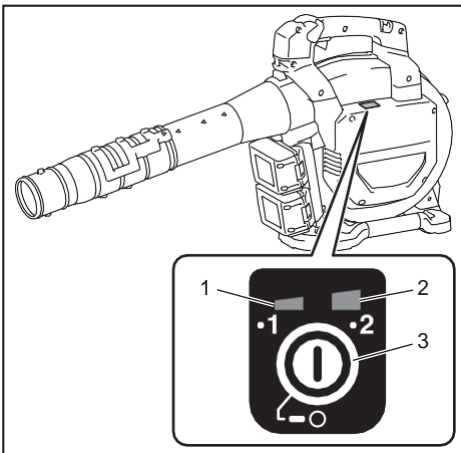
Overdischarge protection

When the battery capacity is not enough, the machine stops automatically and the lamp for mode 1 blinks in red. In this case, remove the battery from the machine and charge the battery.

Main power switch

⚠ WARNING: Always turn off the main power switch when not in use.

To turn on the machine, press the main power switch. The lamps for mode 1 and mode 2 light up in green. To turn off, keep pressing the main power switch until the lamps for mode 1 and mode 2 go off.



- ▶ (1) Lamp for mode 1 (2) Lamp for mode 2
- (3) Main power switch

You can use the machine in the vacuuming mode. In the vacuuming mode, the suction volume becomes smaller than in the normal mode. When you turn on the machine, the machine starts up in the normal mode. To use the machine in the vacuuming mode, press the main power switch when the machine is turned on. The lamp for mode 2 goes off and only the lamp for mode 1 lights up in green. When you press the main power switch again, the machine returns to the normal mode, and the lamps for mode 1 and mode 2 light up in green.

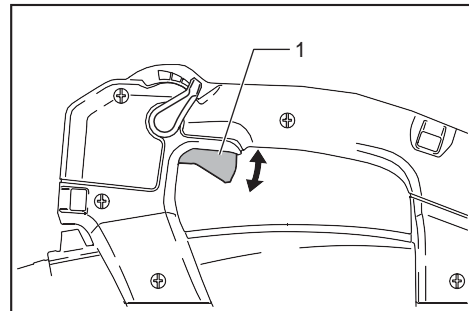
NOTE: The lamp for mode 1 blinks in green if the machine is operated under unoperable conditions. The lamp blinks in one of the following conditions.

- The switch trigger is pulled, when the bolt on the fan cover or suction pipe is not tightened firmly, or the bolt on the blower pipe or elbow pipe is not tightened firmly.
- The machine is turned on, when the control lever is not fully returned to the off position, or while you are pulling the switch trigger.

NOTE: This machine employs the auto power-off function. To avoid unintentional start up, the main power switch will automatically shut down when the switch trigger is not pulled for a certain period after the main power switch is turned on.

Switch action

⚠ WARNING: Before installing the battery cartridge into the machine, always check to see that the switch trigger actuates properly and returns to the "OFF" position when released.

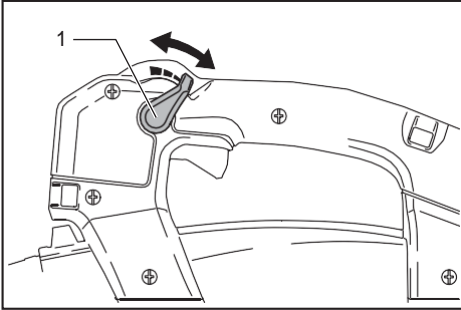


- ▶ 1. Switch trigger

To start the machine, simply pull the switch trigger. The speed is increased by increasing pressure on the switch trigger. Release the switch trigger to stop.

Cruise control function

The cruise control function allows the operator to maintain a constant speed without pulling the trigger. To increase the speed, turn the control lever forward. To decrease the speed, turn the control lever backwards.



- 1. Control lever

Accidental restart preventive function

If you turn on the machine while pulling the switch trigger or while the control lever is not in the off position, the machine does not start. To start the machine, first release the switch trigger and return the control lever fully, and then turn on the machine.

Electronic function

The machine is equipped with the electronic function for easy operation.

- Constant speed control
The speed control function provides the constant rotation speed regardless of load conditions.

OPERATION

CAUTION: Do not place the machine on the ground while it is switched on. Sand or dust may enter from suction inlet and cause a malfunction or personal injury.

Vacuuming operation

CAUTION: When performing the vacuuming operation, be sure to remove the blower pipe and nozzles from the machine, and attach the suction pipe, suction nozzle, elbow pipe, dust bag, and shoulder strap to the machine.

CAUTION: Check the dust bag frequently for wear or deterioration.

CAUTION: Be sure to fasten the fastener of the dust bag before operating the machine.

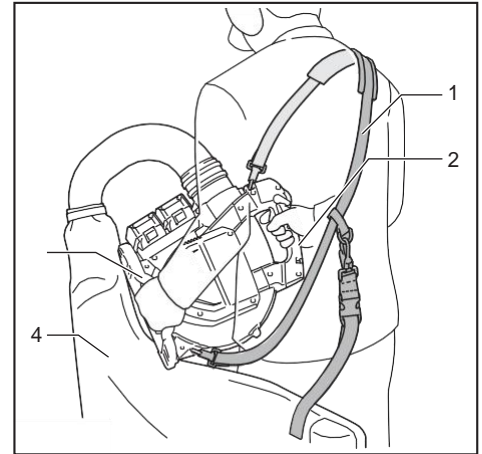
CAUTION: Always switch off the machine before opening or fastening the fastener of the dust bag.

NOTICE: Do not allow wet materials such as wet leaves, and foreign materials such as large wood chips, metal, glass, pebbles, etc., to be sucked into the machine. Otherwise a malfunction may occur.

NOTICE: Empty the dust bag before it becomes full. Otherwise, a malfunction may occur.

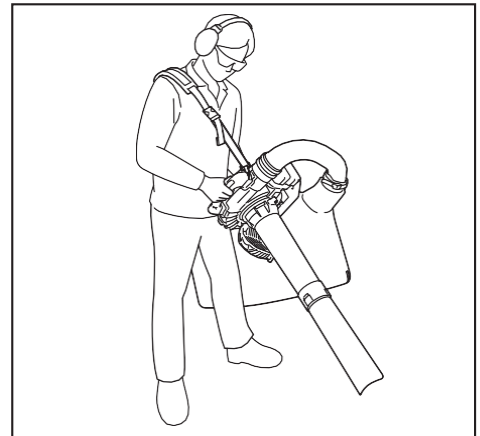
NOTICE: To prevent the suction of foreign materials, operating the machine in the vacuuming mode is recommended

1. Put the shoulder strap and dust bag on the shoulder as shown in the figure. Adjust the length of the strap



- 1. Shoulder strap 2. Carry handle
Assist handle 4. Dust bag

2. Hold the carry handle with your right hand and the assist handle with the other hand.



3. While operating the machine, adjust the switch trigger so that the suction force is appropriate for the work location and conditions.